

## CEILING MOUNTED



**ICONIC** Series

D Series

E Series



**ACSON MALAYSIA SALES & SERVICE SDN. BHD.** (129688-D)  
a member of **DAIKIN** group

Melaka	: +606 - 2926 196	Lot 4, Lorong 19/1A, Seksyen 19, 46300
Johor	: +607 - 3551 599	Petaling Jaya, Selangor Darul Ehsan, Malaysia.
Sabah	: +6088 - 420 205	
Sarawak	: +6082 - 344 128	Tel : + 603 - 7964 8200
Penang	: +604 - 5377 176	Sales Fax : + 603 - 7956 9909
Pahang	: +609 - 5178 696	Service Fax: + 603 - 7956 9907
Perak	: +605 - 3129 828	Website : www.acson.com.my
Kelantan	: +609 - 7733 688	Customer Service Careline : + 603 - 7964 8388

Authorized Dealer:

Products manufactured in an ISO certified facility.  
This document contains the most current product information as of this printing.  
For the most up-to-date product information, please go to [www.acson.com.my](http://www.acson.com.my)



# CEILING MOUNTED Series



**Model :**  
ACM 30/40/50/61 C

**Cooling Capacity :**  
28,000 BTU/h - 61,000 BTU/h

**Power Input :**  
2.9 kW - 6.3 kW

## ICONIC

Our ceiling mounted air conditioner begins a new chapter with a facelift, ICONIC; detailed with distinctive glossy grey surround by flat side panel to the matte grey front grille. This total refinement provides a more premium and upmarket image with remarkable system performance to broaden its appeal.



**Model :**  
ACM 30/40/50 D

**Cooling Capacity :**  
29,000 BTU/h - 50,000 BTU/h

**Power Input :**  
2.9 kW - 4.6 kW



**Model :**  
ACM 35/40/50 E

**Cooling Capacity :**  
25,000 BTU/h - 48,500 BTU/h

**Power Input :**  
3.5 kW - 5.1 kW

Acson Ceiling Mounted Series is designed to deliver cool comfort with long air throw and cost savvy in mind. It is ideal for rooms with limited ceiling space and has great flexibility of installation.

Let your senses embrace the Real Power Cooling Experience...



## Features

### High Air Flow

With Acson Ceiling Mounted Series, your room can achieve excellent cooling effect and desired temperature fast with high air flow and further air throw distance.

### Recharge and Rejuvenate



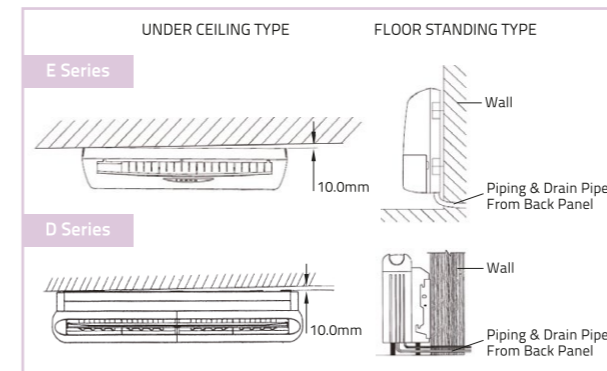
The negative ionizer in the unit generate massive amount of negative ions causing dust, pollen and pet dander to clump together and drop out of the air, giving you a healthy and fresh environment.  
\*Applicable for ACM E series

### Automatic Air Swing

The automatic air swing ensures that every corner is cooled by distributing excellent air distribution.  
\*Application for ACM D and E series

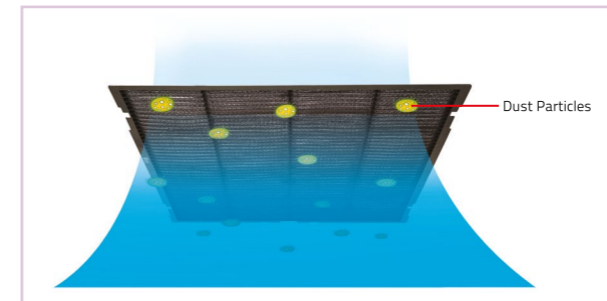
### Ceiling and Floor Installation Option

Acson Ceiling Mounted Series is uniquely designed with the option to install either below the ceiling or mounted at low wall position without any modification needed. Indoor connection pipe and hanger bracket are not visible with floor standing installation for a aesthetic outlook.  
\*Application for ACM30/40/50 D and ACM E Series



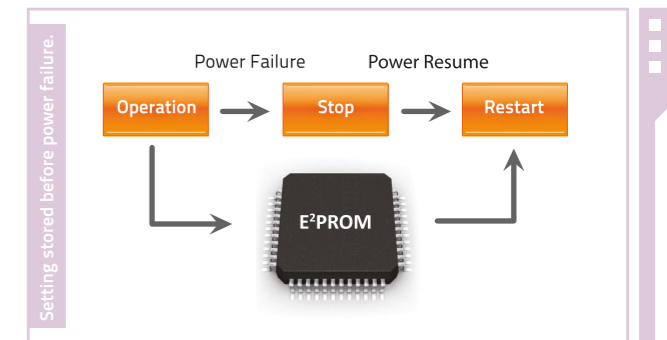
### Saranet Filter

The anti fungus air filter can trap dust particles in the air. With a filter that can be cleaned by simply washing it with water, it can be used over and over again without regular change.



### Protection

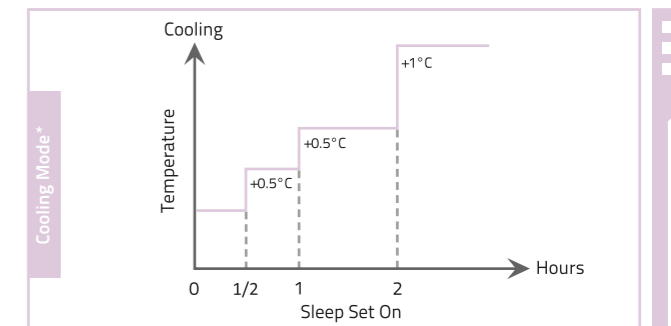
- **Built In Starter**  
Starter is built in internally to prolong unit lifespan and to protect the unit in a rare malfunctioning of the highly durable parts.
- **Automatic Restart**  
In the event of a sudden power failure, the unit can be automatically restarted once the power supply is back to normal and keeping the last setting condition (subject to certain protection conditions). No more hassle.



- **Self Diagnosis System**  
With a series of sensors and intelligent control board, errors will be detected and blinking LEDs to show the error which rarely happen.
- The unit is equipped with a series of other protections like indoor anti-freeze, compressor overload, and compressor minimum running/stopping time.

### Comfort at your Fingertip

- **Sleep Mode**  
Be sure to turn on the SLEEP function before you go to bed for the intelligent control to adjust the temperature gradually to suit the body temperature.



● **Easy Installation**

The Ceiling Mounted Series is easily installed with a very economical and space saving installation. No need wall or ceiling hacking, just install unit at the hanger bracket positioned with few screws and bolts. The whole process is rapid.

● **Better Serviceability**

The internal parts can be inspected and accessed during servicing or maintenance by just dismantling the air intake grille.

● **Power is nothing without Control**

**Wireless Control**

The ergonomically designed wireless control enable the unit to be under your control all time. The advance yet simple design with large buttons is easily accessible with big LCD display. 2xAAA battery included.

**Illuminated POWER Button**

The Power Button turn the unit ON or Off. It illuminates when you need it in the dark.

**SWING Button**

Swing at your command or fix the louver at your preferred position.

**MODE Button**

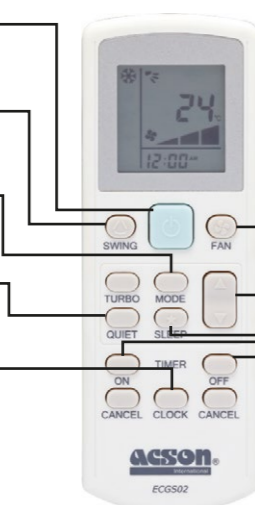
Different Mode for different ambient - Cool, Dry and Fan.

**QUIET Button**

The unique quiet mode further increase the acoustic comfort level for serenity and tranquility.

**CLOCK Button**

Set the real time clock.



**FAN Button**

Control your airflow to Low, Mid, High or Auto to let your unit do the thinking.

**TEMPERATURE Button**

Set the temperature according to your preferences.

**SLEEP Button**

The sleep mode gradually increase the room temperature to ensure a comfortable and mellow sleeping environment.

**TIMER Button**

Turn On or Off the unit with its built in timer which repeats itself every 24 hours.

● **Peace of Mind Service**

With nationwide service points, there must be one around you to provide fast and reliable service when assistance is needed.



\* Please refer to our warranty policy

● **Optional Add Ons**

**- Control**

Compatible with advance Ez-series control system for sequential and zone control; wired control is available upon request.



**- No Boundaries**

Easy and flexible installation with Easi-Flo series drainage pump.



**Outdoor Units:**



ALC 28C



ALC 30C2/ 35D / 40D/ 50D / 61D



Ceiling Mounted ICONIC Series

Model	Indoor	ACM 30C	ACM 30C	ACM 40C	ACM 40C	ACM 50C	ACM 61C	
	Outdoor	ALC 28C	ALC 30C2	ALC 35D	ALC 40D	ALC 50D	ALC 61D	
Nominal Cooling Capacity	BTU/h	28,000	30,000	35,000	40,000	50,000	61,000	
	W	8,206	8,790	10,258	11,723	14,654	17,878	
Nominal Total Input Power	W	2,983	3,299	3,410	3,639	4,676	6,316	
Nominal Running Current	A	14.44	13.23	16.02	7.58	10.02	11.90	
EER	BTU/h/W	9.39	9.09	10.26	10.98	10.69	9.66	
	W/W	2.75	2.66	3.01	3.22	3.13	2.83	
Power Source	V/Ph/Hz	220 - 240 / 1 / 50			380 - 415 / 3 / 50			
Indoor Unit	Control	Air Discharge	MANUAL LOUVER (UP & DOWN)					
		Operation	WIRELESS OR WIRED					
	Air Flow	High	I/s (CFM)	425 (900)	566 (1,200)	660 (1,400)	731 (1,550)	
		Medium	I/s (CFM)	364 (772)	450 (954)	522 (1,105)	623 (1,320)	
		Low	I/s (CFM)	300 (635)	361 (765)	489 (1,037)	472 (1,000)	
	Sound Pressure Level (H/M/L/SL)	dBA	54 / 52 / 47		55 / 53 / 47		59 / 55 / 50	
	Unit Dimension	Height	mm (in)	235 (9.25)				285 (11.22)
		Width	mm (in)	1,524 (60.00)		1,874 (73.78)		
		Depth	mm (in)	666 (26.22)				
	Packing Dimension	Height	mm (in)	305 (12.00)			368 (14.5)	
Width		mm (in)	1,610 (63.38)		1,960 (77.20)			
Depth		mm (in)	730 (28.74)				760 (29.9)	
Unit Weight	kg (lb)	56 (123.46)		65 (143.30)		68 (150)		
Air Flow	I/s (CFM)	741 (1,570)	722 (1,530)	1,605 (3,400)	1,652 (3,500)	1,794 (3,800)		
Sound Pressure Level	dBA	54	56	58		61		
Unit Dimension	Height	mm (in)	753 (29.65)		852 (33.54)			
	Width	mm (in)	855 (33.7)		1,030 (40.60)			
	Depth	mm (in)	328 (12.9)		400 (15.80)		460 (18.2)	
Packing Dimension	Height	mm (in)	793 (31.22)	799 (31.50)	980 (38.60)			
	Width	mm (in)	990 (39.0)	988 (38.9)	1,168 (46)			
	Depth	mm (in)	415 (16.3)	410 (16.1)	532 (21)		592 (23.4)	
Unit Weight	kg (lb)	57 (126)		78 (172)	85 (187)	88 (194)	105 (231)	
Pipe Connection	Type	FLARE VALVE						
		Size	Liquid	mm (in)	9.52 (3/8)			12.70 (1/2)
	Gas	mm (in)	15.88 (5/8)		19.05 (3/4)			
Refrigerant	R22							

1. All specifications are subjected to change by the manufacturer without prior notice.
2. Nominal Cooling Capacity are based in the conditions below:  
Cooling - 27°C DB / 19°C WB indoor and 35°C DB / 24°C WB outdoor
3. Sound Pressure Level are according to C 9612 standard. Position of the measurement point is 1m in front and 0.8m below the unit.
4. Units are tested & comply to international standards such as ISO 5151 and AHRI 210/240.



Ceiling Mounted D Series

Model	Indoor	ACM 30D	ACM 30D	ACM 40D	ACM 40D	ACM 50D		
	Outdoor	ALC 28C	ALC 30C2	ALC 35D	ALC 40D	ALC 50D		
Nominal Cooling Capacity	BTU/h	28,000	30,000	35,000	40,000	50,000		
	W	8,206	8,790	10,258	11,723	14,654		
Nominal Total Input Power	W	2,894	3,210	3,342	3,571	4,590		
Nominal Running Current	A	14.31	13.10	15.65	7.21	9.58		
EER	BTU/h/W	9.68	9.35	10.47	11.20	10.89		
	W/W	2.84	2.74	3.07	3.28	3.21		
Power Source	V/Ph/Hz	220 - 240 / 1 / 50			380 - 415 / 3 / 50			
Indoor Unit	Control	Air Discharge: AUTOMATIC LOUVER (UP & DOWN) & MANUAL LOUVER (BOTTOM)						
		Operation: WIRELESS OR WIRED						
	Air Flow	High	I/s (CFM)		345 (730)	477 (1,010)	491 (1,040)	
		Medium	I/s (CFM)		312 (660)	420 (890)	448 (950)	
		Low	I/s (CFM)		283 (600)	368 (780)	387 (820)	
	Sound Pressure Level (H/M/L/SL)	dB(A)	51 / 50 / 48		54 / 53 / 52			
	Unit Dimension	Height	mm (in)					249 (9.80)
		Width	mm (in)		1,214 (47.80)	1,714 (67.4)		
		Depth	mm (in)					670 (26.3)
	Packing Dimension	Height	mm (in)					345 (13.6)
Width		mm (in)		1,361 (53.5)	1,816 (71.40)			
Depth		mm (in)					760 (29.9)	
Unit Weight	kg (lb)	45 (99)		70 (154)				
Air Flow	I/s (CFM)	741 (1,570)	722 (1,530)	1,605 (3,400)	1,652 (3,500)			
Sound Pressure Level	dB(A)	54	56	58				
Unit Dimension	Height	mm (in)		753 (29.65)	852 (33.54)			
	Width	mm (in)		855 (33.70)	730 (28.74)	1,030 (40.60)		
	Depth	mm (in)		328 (12.90)	400 (15.80)			
Packing Dimension	Height	mm (in)		31.22	799 (31.50)	980 (38.60)		
	Width	mm (in)		990 (39.00)	988 (38.90)	1,168 (46.00)		
	Depth	mm (in)		415 (16.30)	410 (16.10)	532 (21.00)		
Unit Weight	kg (lb)	57		78	85	88		
Pipe Connection	Type		FLARE VALVE					
	Size	Liquid	mm (in)				9.52 (3/8)	
		Gas	mm (in)		15.88 (5/8)	19.1 (3/4)		
Refrigerant	R22							

1. All specifications are subjected to change by the manufacturer without prior notice.
2. Nominal Cooling Capacity are based in the conditions below:  
Cooling - 27°C DB / 19°C WB indoor and 35°C DB / 24°C WB outdoor
3. Sound Pressure Level are according to C 9612 standard. Position of the measurement point is 1m in front and 0.8m below the unit.
4. Units are tested & comply to international standards such as ISO 5151 and AHRI 210/240.

Ceiling Mounted E Series

Model	Indoor	ACM 35E	ACM 40E	ACM 50E			
	Outdoor	ALC 35D	ALC 40D	ALC 50D			
Nominal Cooling Capacity	BTU/h	35,000	40,000	48,500			
	W	10,200	11,700	14,200			
Nominal Total Input Power	W	3,530	3,990	5,100			
Nominal Running Current	A	16.10	6.63	8.55			
EER	BTU/h/W	19.92	10.03	9.51			
	W/W	2.89	2.93	2.78			
Power Source	V/Ph/Hz	220-240/1/50		380 - 415 / 3 / 50			
Indoor Unit	Control	Air Discharge: AUTOMATIC LOUVER (UP & DOWN)					
		Operation: WIRELESS OR WIRED					
	Air Flow	High	I/s (CFM)	400 (840)	520 (1,100)	570 (1,215)	
		Medium	I/s (CFM)	360 (753)	460 (983)	510 (1,082)	
		Low	I/s (CFM)	320 (669)	410 (877)	450 (959)	
	Sound Pressure Level (H/M/L/SL)	dB(A)	48 / 47 / 44	52 / 47 / 44	52 / 50 / 49		
	Unit Dimension	Height	mm (in)			260 (10.20)	
		Width	mm (in)		1,320 (52.00)	1,538 (60.6)	1,786 (70.3)
		Depth	mm (in)				634 (25.00)
	Packing Dimension	Height	mm (in)			330 (13.00)	
Width		mm (in)		1,427 (56.2)	1,645 (64.80)	1,892 (74.5)	
Depth		mm (in)				724 (28.50)	
Unit Weight	kg (lb)	38 (84)	45 (99)	58 (128)			
Air Flow	I/s (CFM)	1,605 (3,400)					
Sound Pressure Level	dB(A)	58					
Unit Dimension	Height	mm (in)			852 (33.46)		
	Width	mm (in)			1,030 (40.60)		
	Depth	mm (in)			400 (15.80)		
Packing Dimension	Height	mm (in)			1,030 (40.55)		
	Width	mm (in)			1,180 (46.46)		
	Depth	mm (in)			514 (20.24)		
Unit Weight	kg (lb)	78	85	88			
Pipe Connection	Type		FLARE VALVE				
	Size	Liquid	mm (in)		9.52 (3/8)		
		Gas	mm (in)		19.05 (3/4)		
Refrigerant	R22						

1. All specifications are subjected to change by the manufacturer without prior notice.
2. Nominal Cooling Capacity are based in the conditions below:  
Cooling - 27°C DB / 19°C WB indoor and 35°C DB / 24°C WB outdoor
3. Sound Pressure Level are according to C 9612 standard. Position of the measurement point is 1m in front and 1m below the unit.
4. Units are tested & comply to international standards such as ISO 5151 and AHRI 210/240.

